

# ELLISSE FLOOR/WALL

*Federico Palazzari*

Collection of LED pendants, floor/wall lamps available in different versions: major, minor, double, triple and mega provides a direct or indirect diffused light.

In extruded aluminum in different versions: matt lacquered in the finishes, white, black and gold, natural polished and gold polished anodized.

Equipped with an opal diffuser.

The lamps are made using a proprietary extrusion coupling technology.

Ellisse Major is also available as floor or wall versions and is provided with a black marble base or a wall hook accessory.



# LED

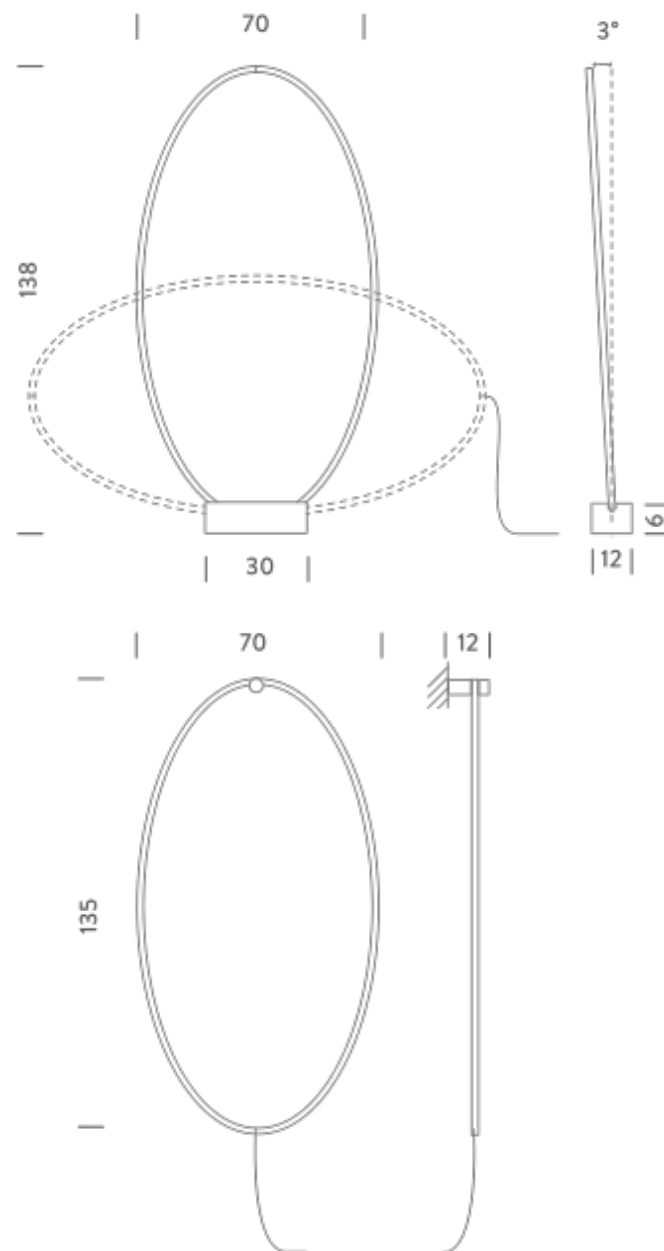
## LAMPING

Source	linear LED
Total power	66W
Emission	diffused orientable
Switching	dimmable
Tension	110/240V
Color temperature	2700K
Luminous flux	3450lm
Typ CRI	85
Energy class	A+
Materials	Aluminium
Notes	dimmer on cable, cable length 5m, base and wall hanger to be ordered separately
Accessories	Base, black marquinia marble   Wall hanger, aluminium gold polished anodized
Net lamp weight	5 kg
<i>Codes</i>	<i>Structure/Diffuser</i>
ELP LNN 21	black/white
ELP LGN 21	gold polished anodized/white

## PACKAGE

Package 01 Dimension: 15x80x150 cm / Gross weight: 7,5 kg

## Certificazioni



### ACCESSORY:

base



wall hanger

